



## 12'x16' Garden Shed Plan

---

# Compare our Free vs. Premium plan

This perfectly designed plan will guide you through the entire process of building your very own shed for any backyard or garden.



Check out the benefits you would get with our **premium edition**:

Features	Free plan	Premium edition
Steps count	14	25
Illustrations for Each Step	✓	✓
Print Ready	✓	✓
Step By Step Instructions	✓	✓
Full Materials and Cuttings List	✗	✓
Additional Illustrations	✗	✓
Additional Blueprints	✗	✓
Tools List	✗	✓
Fastening Elements List	✗	✓
Technical Support	✗	✓

**BUY NOW**

# 12'x16' Garden Shed Material List

## Site Preparation

- Concrete
- Bricks

## Bottom Frame

- Pressure-Treated Lumber
- Plywood

## Front/Back/Side Wall Frames

- Pressure-Treated Lumber

## Shed's Roof

- Pressure-Treated Lumber
- Pressure-Treated Board
- Plywood
- Building paper
- Asphalt shingles
- Metal drip edge

## Shed's Window Shutter

- Pressure-Treated Lumber

## Drainage System

- Pressure-Treated Lumber
- Half round gutter
- End pieces with outlet
- 45° elbow
- Drainage pipe
- Joint connector
- End cap
- Round hunger
- Wall fastener

## Shed's Door (2x)

- Pressure-Treated Lumber
- Plywood

## Front/Back/Side Wall Exterior Siding

- Pressure-Treated Lumber
- Wood siding boards

## Top Frame

- Pressure-Treated Lumber

## Fasteners & Hardware

- Door hinges
- Door pulls
- Surface bolt
- Corner braces
- Wood square louver gable vent
- Galvanized nails
- Wood screws

## Shed's Decorative Door Shutter (2x)

- Pressure-Treated Lumber

## Door Ramp

- Pressure-Treated Lumber
- Plywood

## Shed's Front Window

- Pressure-Treated Lumber
- Window beading
- Glass

## STEP 1

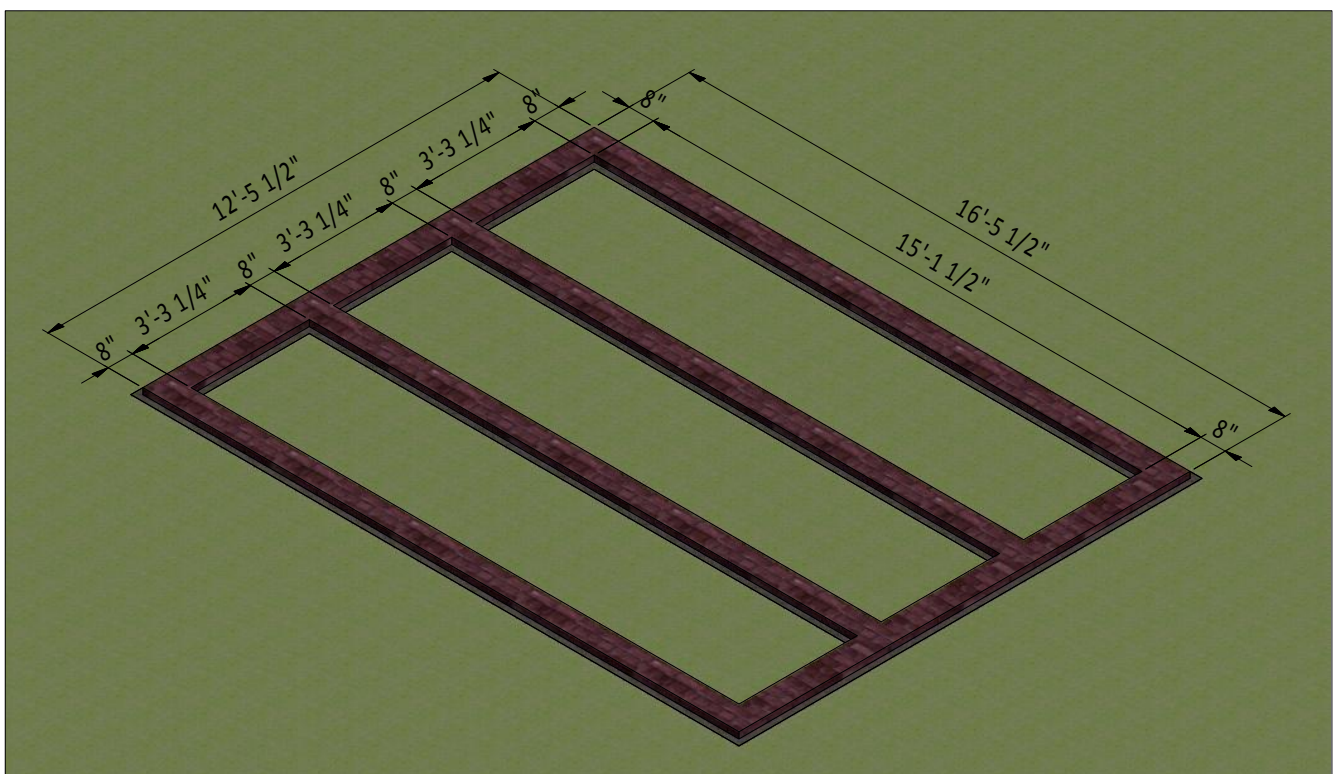
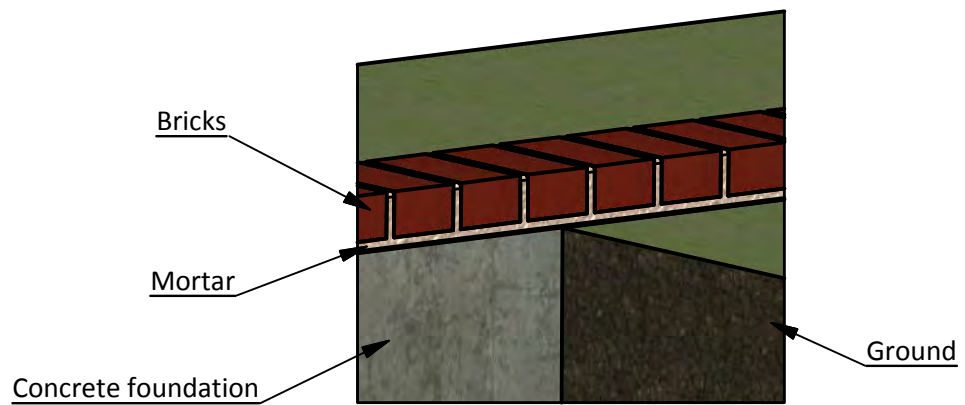
# Foundation Preparation

**1.1** Clear the area where you want to build the shed and layout for the foundation. Use the below illustration as a guide.

**1.2** For the foundation, dig the trenches at least 1' wide and 1' deep.

**1.3** Fill the trenches to ground level with concrete and let cure, or harden. Since curing times vary between brands, read the packaging for recommended curing times.

**1.4** Once the concrete has cured, use standard-sized bricks and lay them across the foundation. You will need roughly 225 bricks for this step.



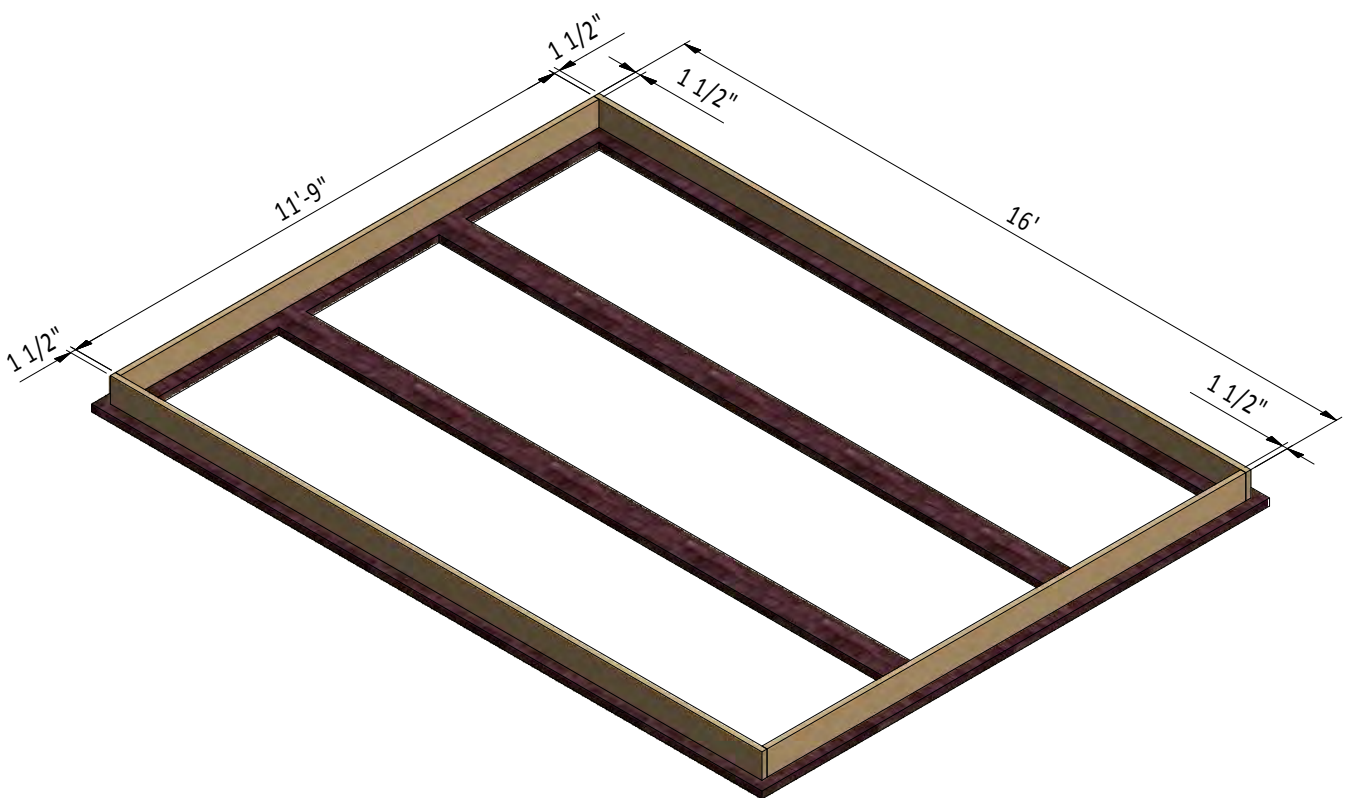
## STEP 2

### Framing the Floor

**2.1** Assemble the frame using 1 1/2" x 7 1/4" pressure-treated lumber. You will need two boards cut to 16' that will be the rim joist and two boards cut to 11'-9" that will be the joist.

**2.2** Secure the beams with 8x5" wood screws.

**2.3** Using a speed square or carpenter's square, check the corners to make sure they are 90°.



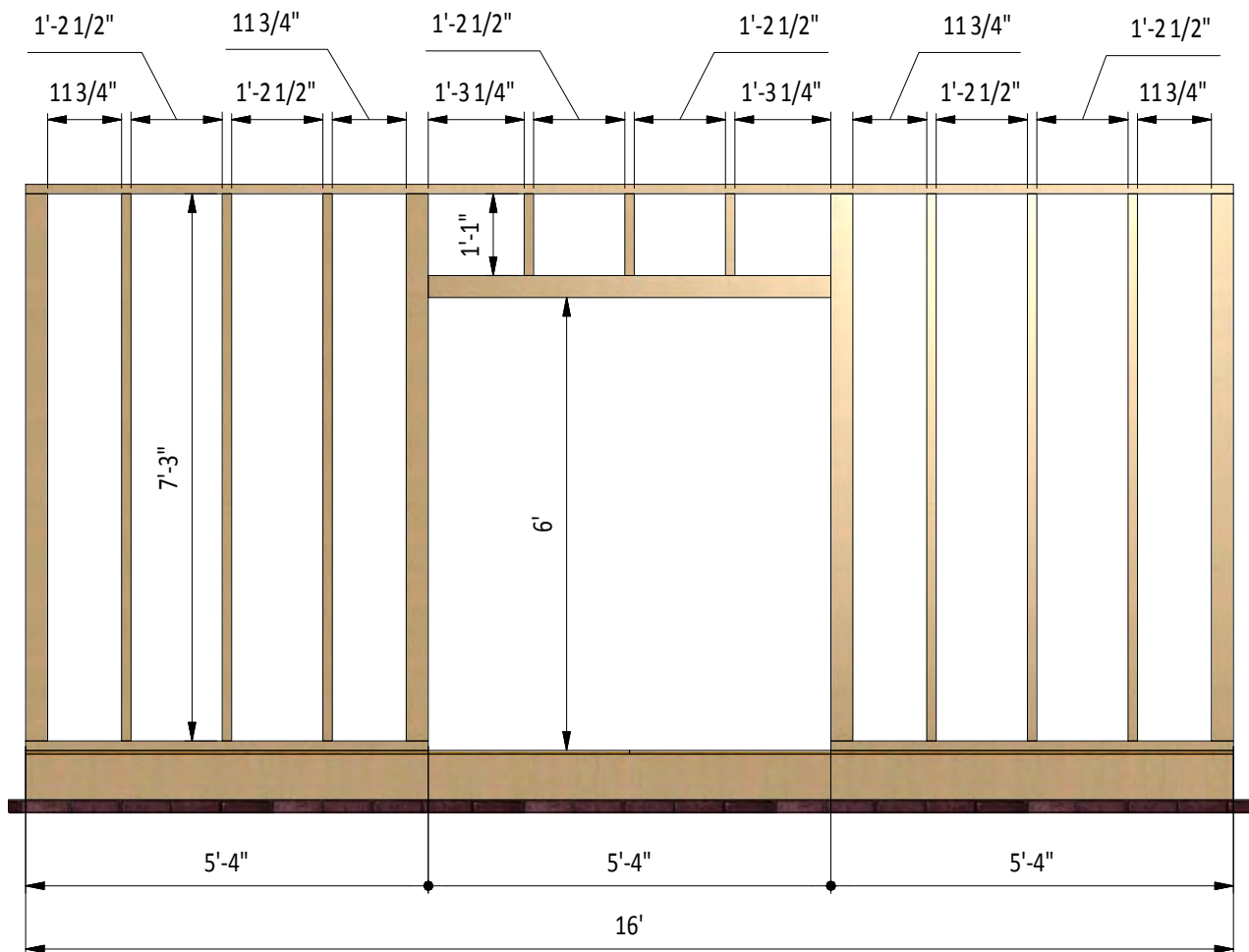
### STEP 3

## Assemble Front Wall Frame

**3.1** Using 1 1/2" x 3 1/2" and 3 1/2" x 3 1/2" pressure-treated lumber, construct front wall frame using the drawing below as a reference. You will need ten boards cut to 7'-3" that will be studs, two boards cut to 5'-4" that will be the bottom plates, one board cut to 16' that will be the top plate, one board cut to 5'-4" that will be the door header, three boards cut to 1'-1" that will be cripple studs.

**3.2** Connect the beams with 2x3" and 2x5" wood screws.

**3.3** Using a speed square or carpenter's square, check the corners to make sure they are 90°.



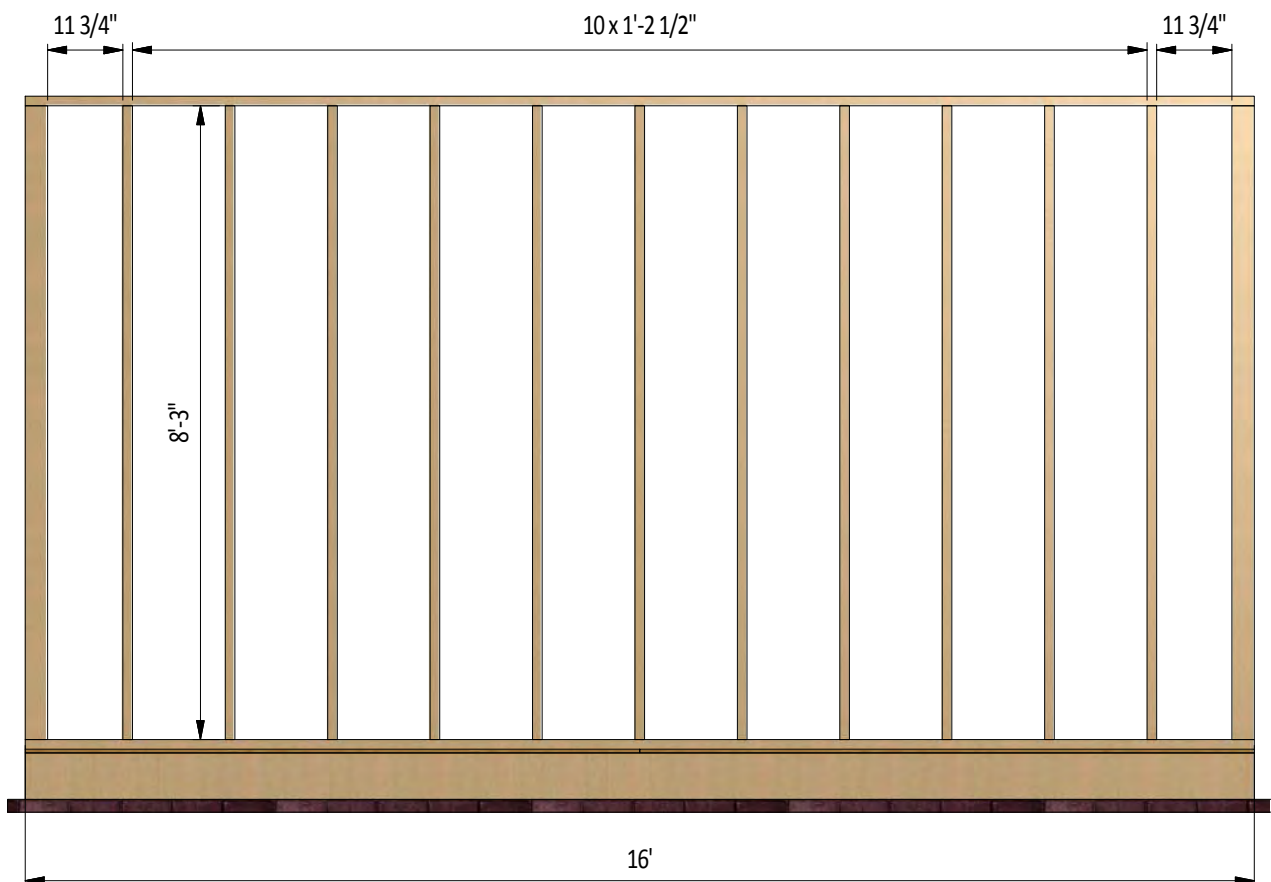
## STEP 4

### Assemble Back Wall Frame

**4.1** Using 1 1/2" x 3 1/2" and 3 1/2" x 3 1/2" pressure-treated lumber, construct back wall frame using the drawing below as a reference. You will need thirteen boards cut to 8'-3" that will be the studs and two boards cut to 16' that will be the top and bottom plates.

**4.2** Connect the beams with 2x3" wood screws.

**4.3** Using a speed square or carpenter's square, check the corners to make sure they are 90°.



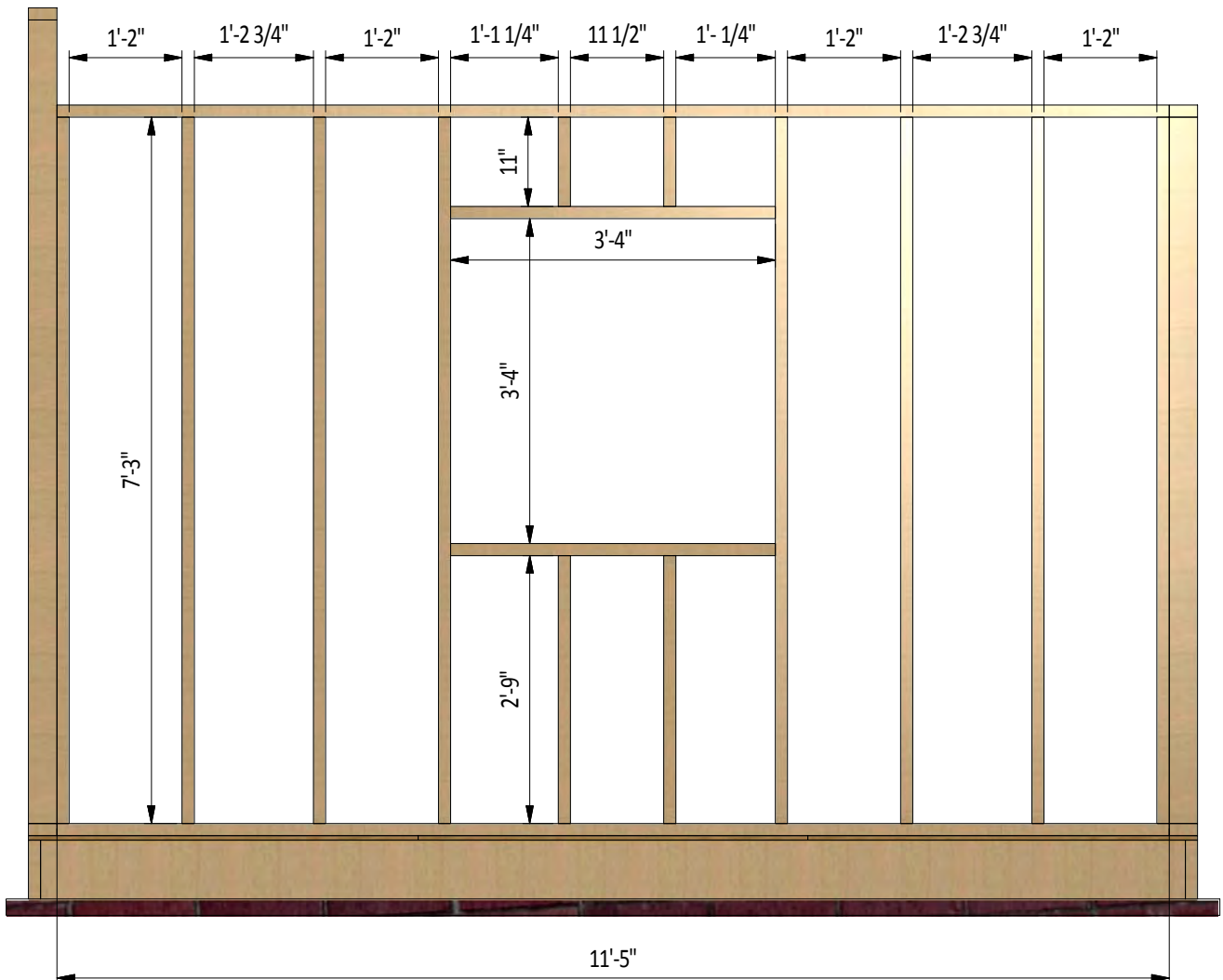
## STEP 5

### Assemble Right and Left Wall Frames

**5.1** Using 1 1/2" x 3 1/2" pressure-treated lumber, construct side wall frames using the drawing below as a reference. You will need two boards cut to 11" that will be the cripple studs, two boards cut to 2'-9" and eight boards cut to 7'-3" that will be the studs, two boards cut to 3'-4" that will be the window header and rough sill and two boards cut to 11'-5" that will be the top and bottom plates.

**5.2** Connect the beams with 2x3" wood screws.

**5.3** Using a speed square or carpenter's square, check the corners to make sure they are 90°.



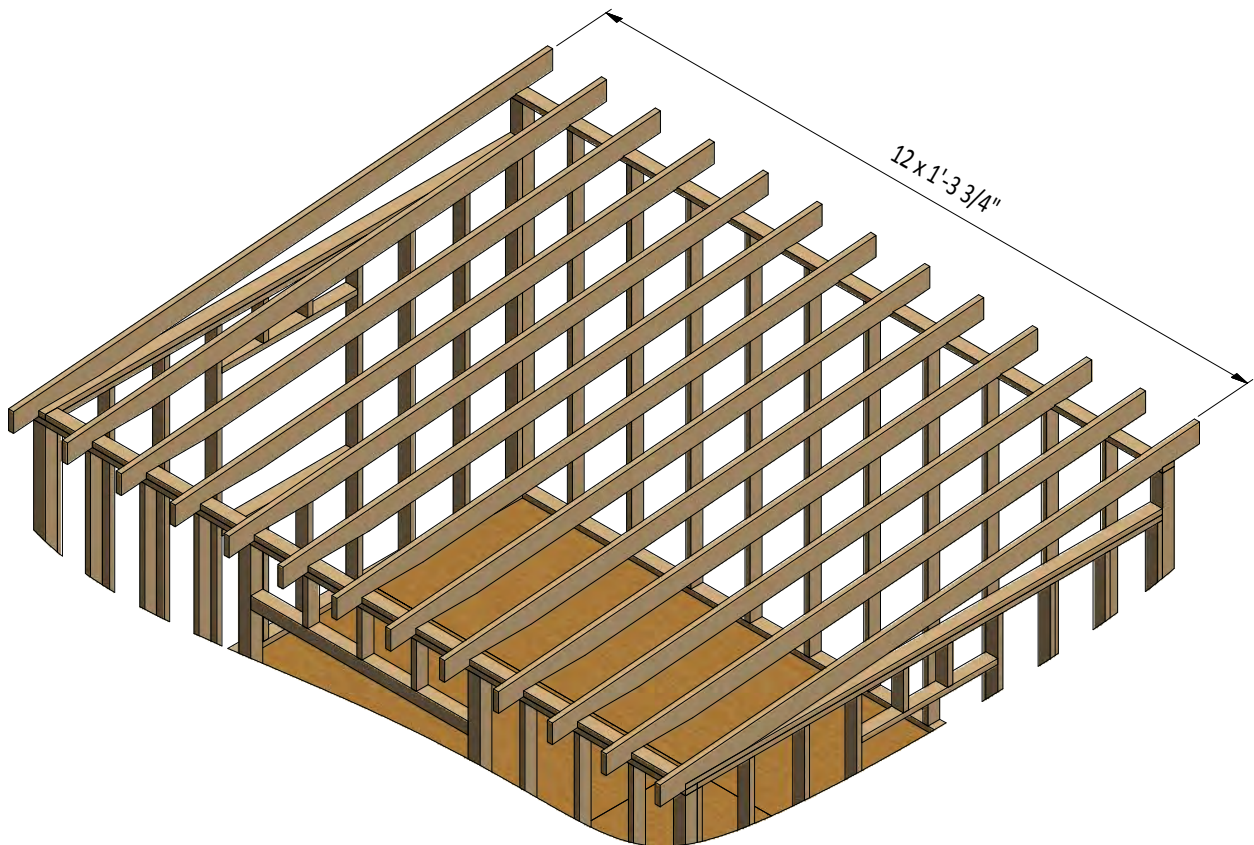


## STEP 6

### Assemble The Roof Frame

**6.1** Using 1 1/2" x 5 1/2" pressure-treated lumber, cut thirteen rafters 13'-3 1/4" long according to the dimensions in drawing below. Cut the recesses in each beam for splicing connection with wall frames.

**6.2** Connect the beams with a top frame with the help of 3" wood screws.



## STEP 7

### Assemble and Install Shed Doors

**7.1** Build the door frames for the shed using 1 1/2" x 3 1/2" pressure-treated lumber and secure with 5" wood screws. You will need two boards cut to 5'-11 3/4" that will be the vertical girts and two boards cut to 2'-3/4" that will be the horizontal girts.

**7.2** Prepare the 9/16" plywood sheet with dimensions 2'-7 3/4" x 5'-11 3/4" for the doors according to the drawing.

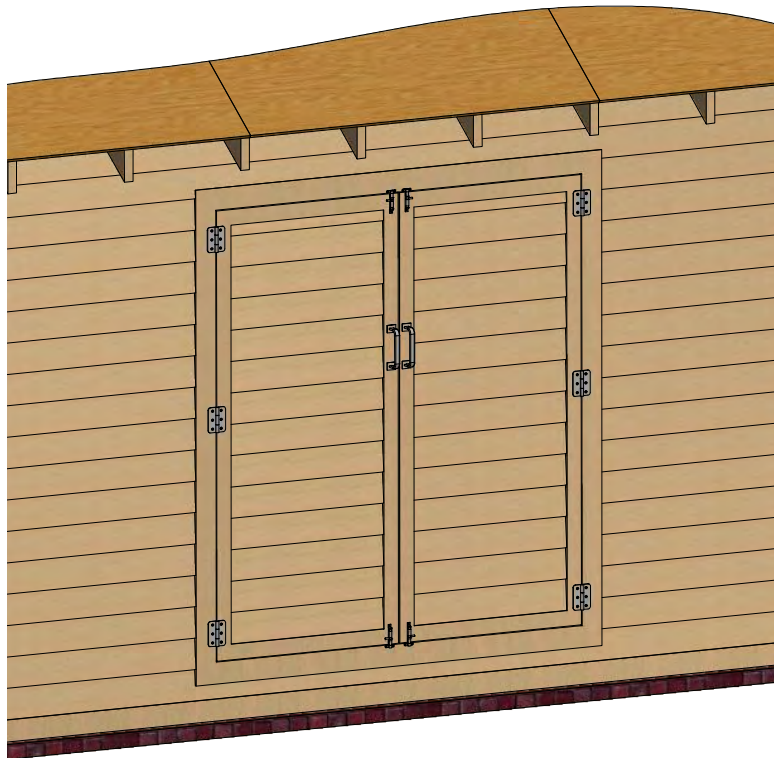
**7.3** Use 2 1/2" x 3/4" pressure-treated lumber for the door trim and fasten with 2" wood screws. You will need two boards cut to 2'-2 3/4" and two boards cut to 5'-11 3/4".

**7.4** Using 1/4" x 3/4" pressure-treated lumber, cut and install a starter course 2'-2 3/4" long.

**7.5** For the exterior siding on the door, use 1/2" x 6" wood siding boards and the illustration below as a reference.

**7.6** Assemble siding shields with 2" galvanized nails.

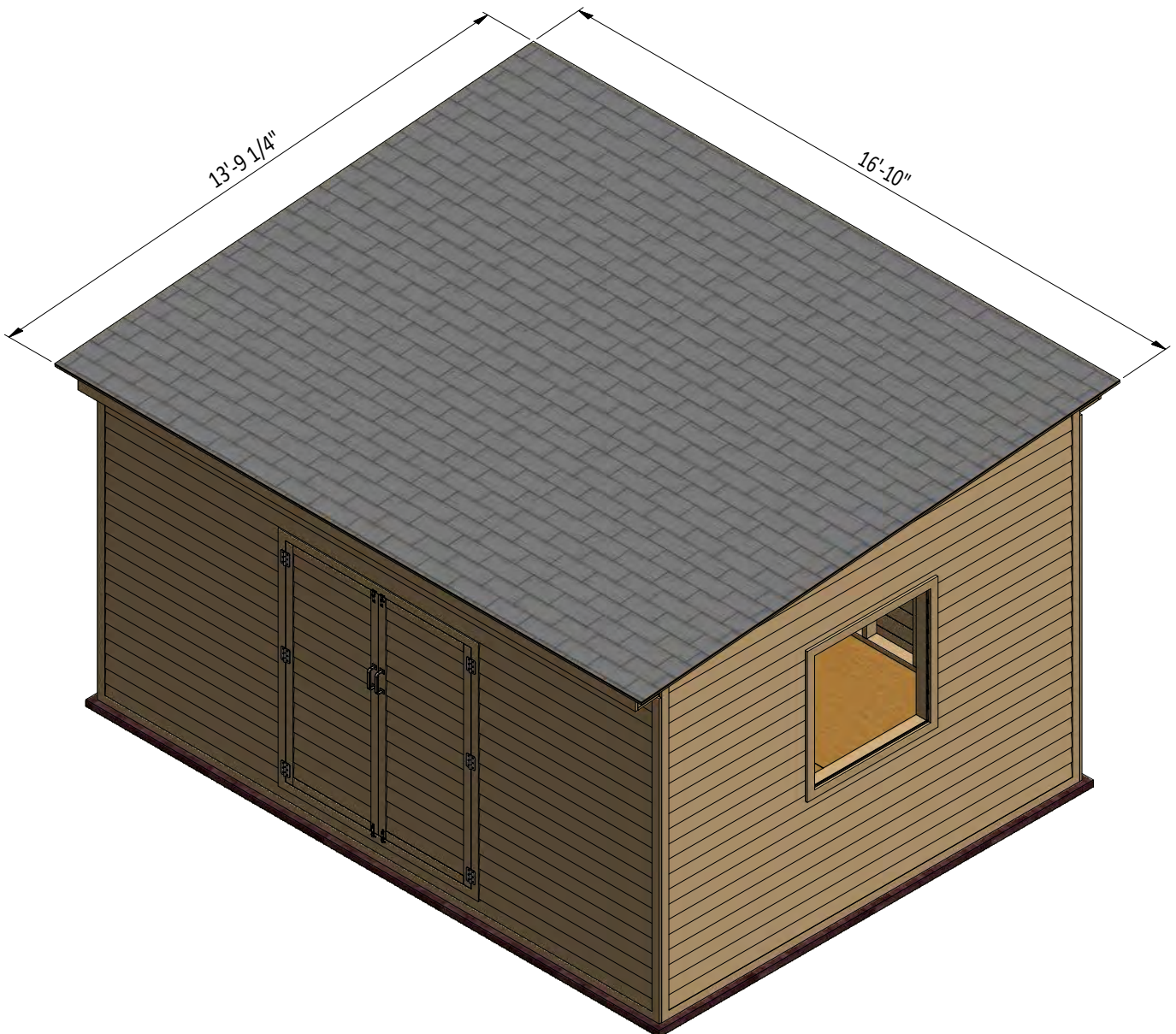
**7.7** Install six 3" door hinges using 6x1" wood screws. Finish the doors installation by attaching 4" surface bolts and 6" door pulls.



## STEP 8

### Roof Sheathing Installation

- 8.1 You will need 235 Sq Ft of asphalt shingle roofing.
- 8.2 Add the metal drip edge to the fascias.
- 8.3 Cover the plywood with building paper.
- 8.4 Install asphalt shingle roofing using an industrial stapler.



## STEP 9

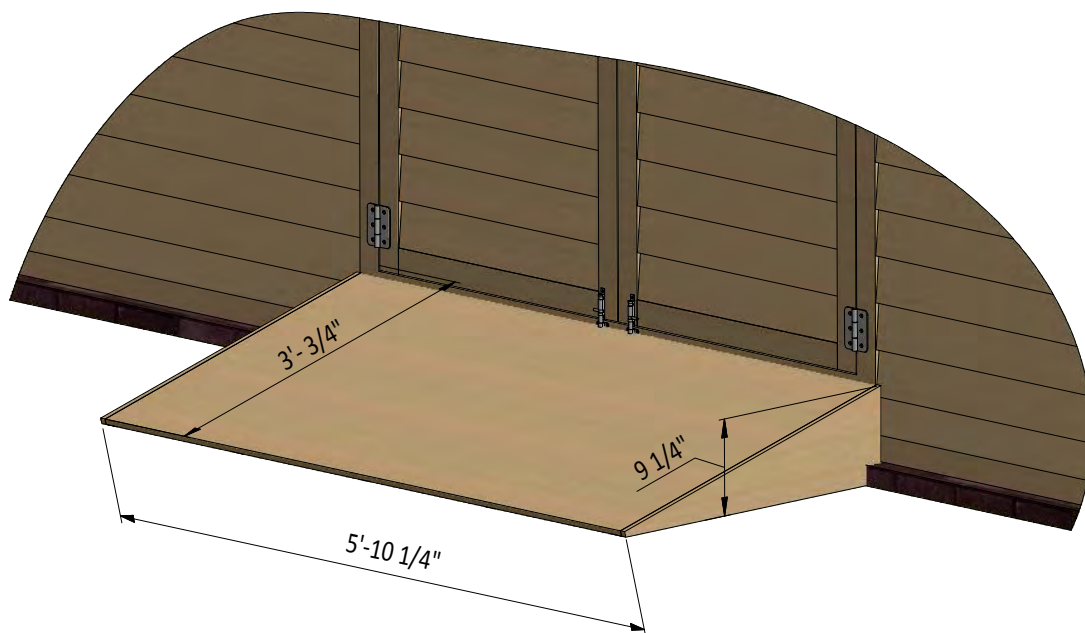
### Assemble and Install Door Ramp

**9.1** Assemble the five door ramp frames from pressure-treated lumber and secure with 3" and 5" wood screws (node K on page 29). For each frame you will need one 1 1/2" x 1 1/2" board cut to 1'-8"; one 1 1/2" x 2 1/2" board cut to 3'-3/4" and one 1 1/2" x 3 1/2" board cut to 6 1/4".

**9.2** Connect and secure all frames using one 1 1/2" x 2 1/2" board 5'-9" long and 3" wood screws.

**9.3** Cut the 9/16" plywood sheet with dimensions 3'-3/4" x 5'-9" for the top plane and two sheets with dimensions 9 1/4" x 2'-9 1/2" for the sides.

**9.4** Assemble siding shields with 2" galvanized nails.



## STEP 10

# Window Installation for Left and Right Walls

It is necessary to prepare 2 windows.

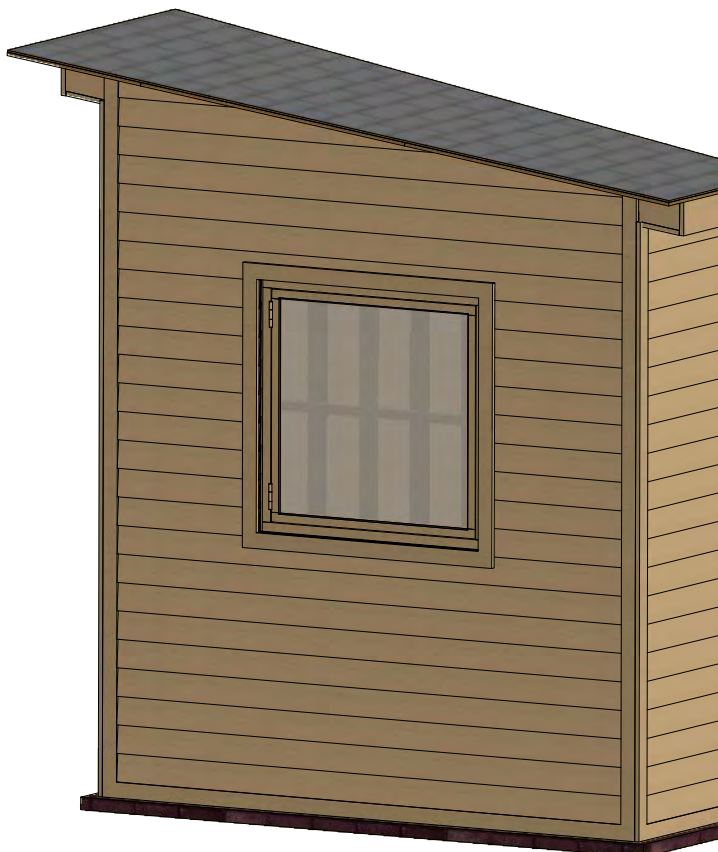
**10.1** Using 1 1/2" x 2 1/2" pressure-treated lumber, assemble the outer frame for the window as shown in the drawing below. You will need two boards cut to 3'-1" that will be the vertical girts and two boards cut to 3'-4" that will be the horizontal girts. Additionally, add vertical 2'-11 1/2" long and horizontal 3'-1" long supports using 3/4" x 1" lumber and cut the recesses for the window hinges.

**10.2** Use 1 1/2" x 1 1/2" pressure-treated material to make the inner frame and secure with 3" wood screws. You will need two boards cut to 2'-9 3/4" that will be the vertical girts and two boards cut to 3'-3/4" that will be the horizontal girts. Mill a recess for the glass panes and for the hinges.

**10.3** Use 1 1/4" x 1 1/2" pressure-treated material to make the inner frame supports and secure with 3" wood screws. You will need two boards cut to 2'-9 3/4" and mill a recess for interconnection.

**10.4** Prepare and install glass into inner frame groove and fasten it by window beading from four sides. Use 1/2" galvanized nails.

**10.5** Install two hinges 3" with 6x1" wood screws and assemble the window. Install a lock on the inner side of the window.



## STEP 11

### Assemble and Install Window Shutters

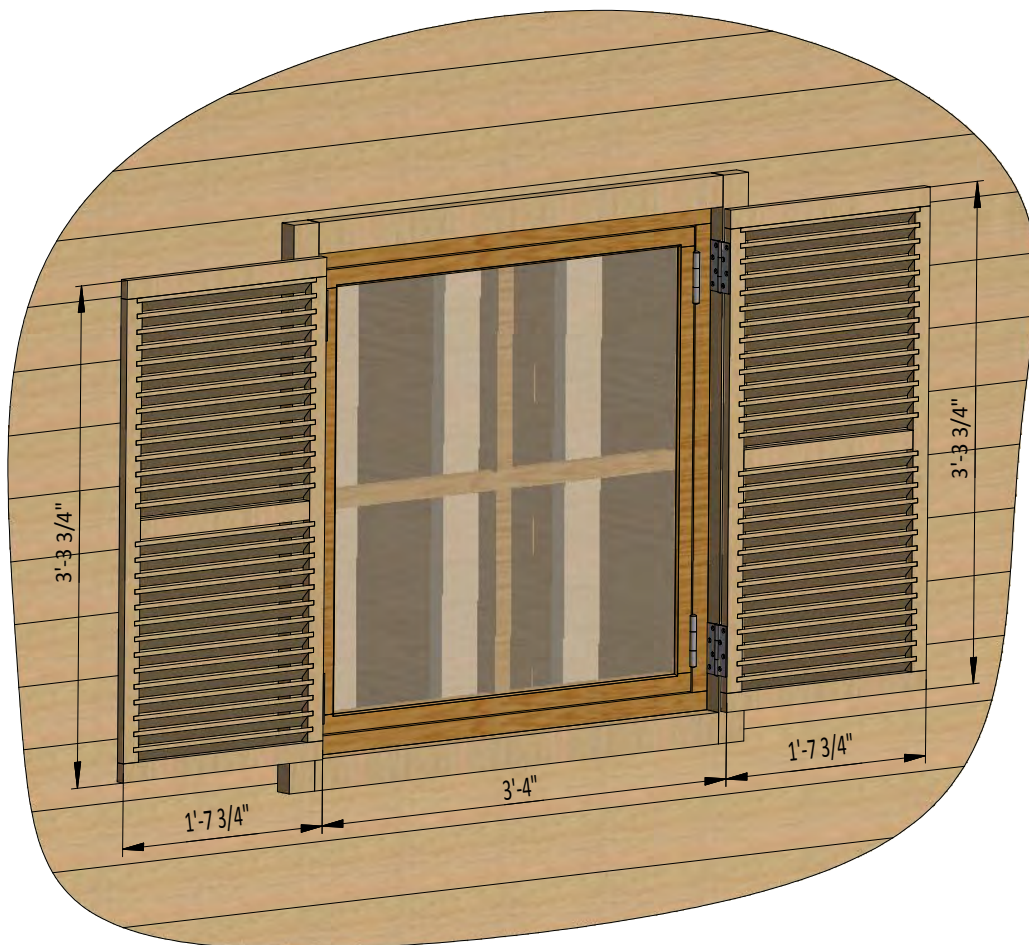
It is necessary to prepare 4 windows shutters.

**11.1** Assemble frames using  $3/4"$  x  $1\ 1/2"$  pressure-treated lumber and secure with 3" wood screws. You will need one board cut to  $1'\ 4\ 3/4"$  two boards cut to  $3'\ 3/4"$  that will be the vertical girts and two boards cut to  $1'\ 7\ 3/4"$  that will be the horizontal girts.

**11.2** Mill a recess along the vertical girts for the jalousies.

**11.3** Use  $1/4"$  x  $1\ 1/2"$  pressure-treated lumber for the jalousies. You will need twenty two boards cut to  $1'\ 5\ 3/4"$ .

**11.4** Install two 3" door hinges using 6x1" wood screws.



## STEP 12

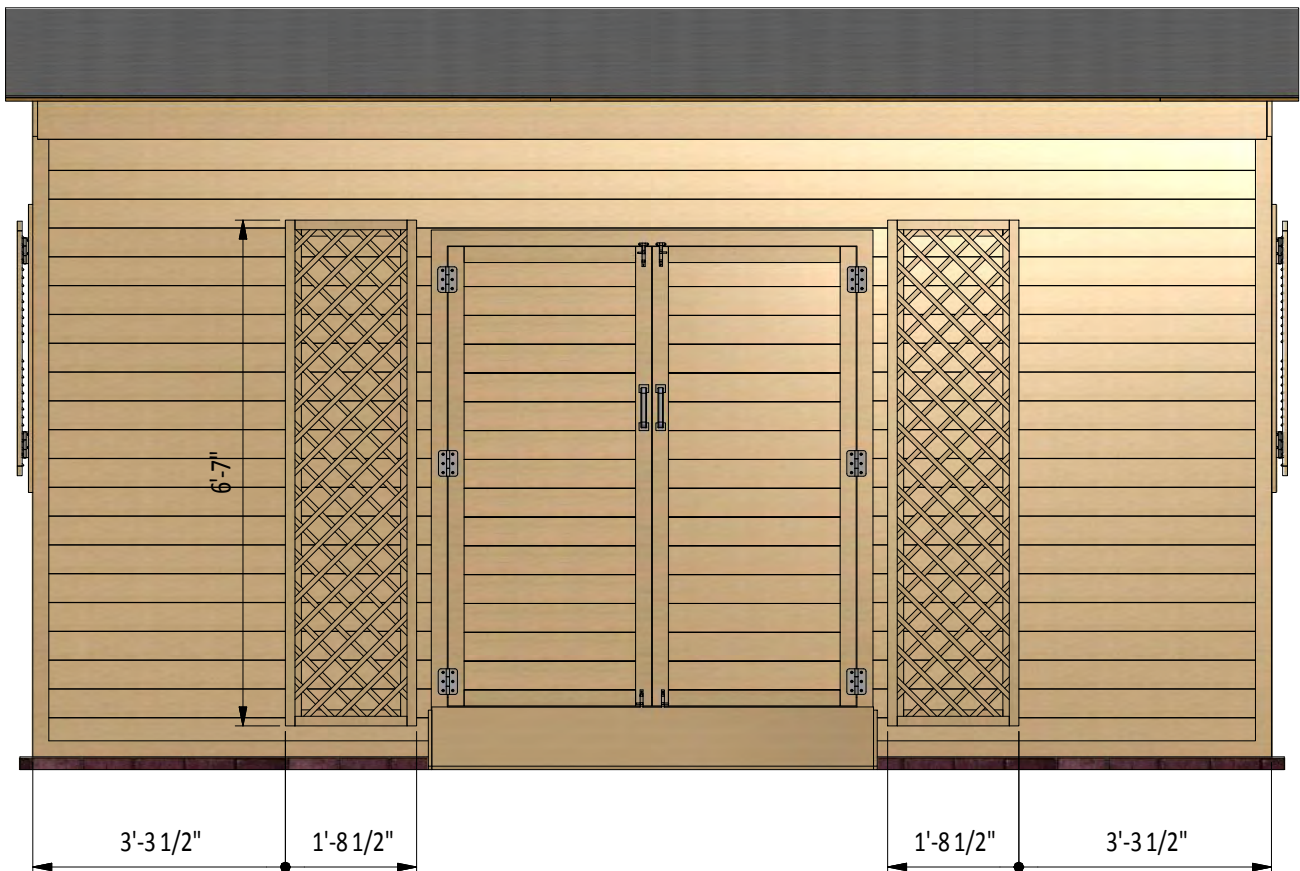
# Assemble and Install Decorative Door Shutters

It is necessary to prepare two decorative door shutters.

**12.1** Assemble front frame using 1 1/2" x 1 1/2" pressure-treated lumber and secure with 3" wood screws. You will need two boards cut to 6'-7" that will be the vertical girts and two boards cut to 1'-5 1/2" that will be the horizontal girts.

**12.2** Assemble back frame using 3/4" x 2 1/2" pressure-treated lumber and secure with 5" wood screws. You will need two boards cut to 6'-7" that will be the vertical girts and two boards cut to 1'-3 1/2" that will be the horizontal girts.

**12.3** Use 3/4" x 3/4" pressure-treated lumber for the lattice. You will need thirty six boards cut to 2'-3/4". Assemble according to the drawing.



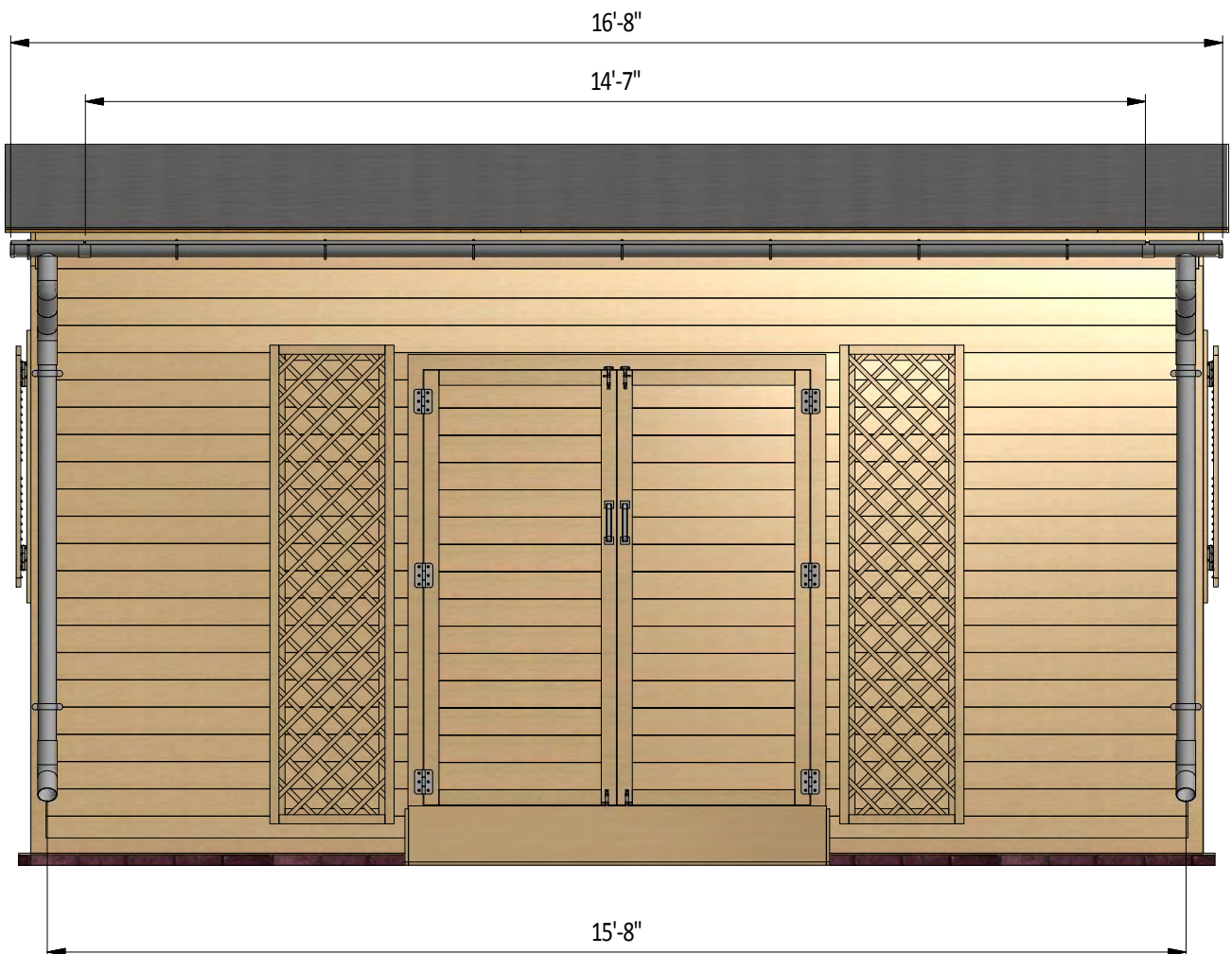
## STEP 13

### Assemble and Install Roof Drainage System

**13.1** Assemble roof drainage system on the front fascia board.  
You will need 5" half round gutter 12'-7" long, two end pieces with the outlet, six 45° elbows, two 3" pipes 6' long, two joint connectors and two end caps.

**13.2** Fasten the round gutter to the fascia with the round hangers.

**13.3** Fasten the vertical pipe section with the four wall fasteners.





## STEP 14

### Shed Decoration

Now that your shed is all done, you are ready to decorate it any way you want using your favourite paint, stain, or preservative.



# Compare our Free vs. Premium plan

This perfectly designed plan will guide you through the entire process of building your very own shed for any backyard or garden.



Check out the benefits you would get with our **premium edition**:

Features	Free plan	Premium edition
Steps count	14	25
Illustrations for Each Step	✓	✓
Print Ready	✓	✓
Step By Step Instructions	✓	✓
Full Materials and Cuttings List	✗	✓
Additional Illustrations	✗	✓
Additional Blueprints	✗	✓
Tools List	✗	✓
Fastening Elements List	✗	✓
Technical Support	✗	✓

**BUY NOW**



For more great **HOW-TO** plans please visit: <https://shedplans.org>

## Copyright

The text and illustrations that appear here are the exclusive property of shedplans.org and are protected by federal copyright laws. The duplication, sale or distribution of any portion of these plans without prior written consent from the original designer will be subject to the appropriate penalties for copyright infringement. Sharing this plan on the web is only permitted with an indicated original source: <https://shedplans.org>